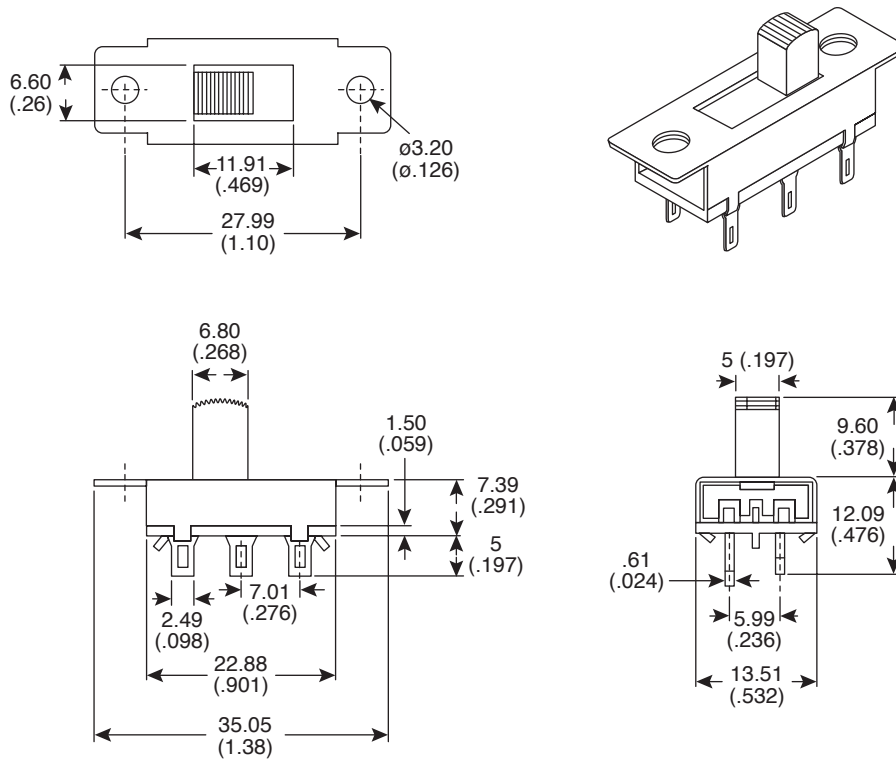


Dimensions: mm (In.)



Mechanical Specifications:

- Circuit: DPDT, On-On

Electrical Specifications:

- Rating: 0.5A/125VAC
- Contact Resistance: 20mΩ max. @ 20VDC
- Insulation Resistance: 100MΩ min. @ 500VDC
- Dielectric Strength: 1500VAC for 1 minute

Note:

- RoHS Compliant

Slide Switch
10SS002-EV

